

Installation Instructions

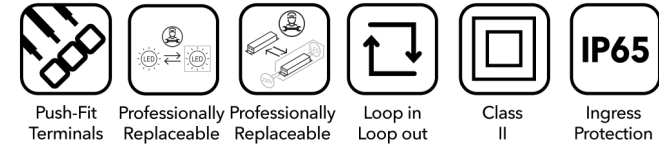
Ridgegate 3CCT Plug & Play Bulkhead

Input	220–240V AC 50/60Hz
Power	8W/10W/14W
Operating Temp	-20°C–+40°C
Connection Type	Push-Fit Terminal
Emergency Option	430963 (Sold Separately)
Control Connection	431127 (Sold separately)
Light Source Energy Rating	F



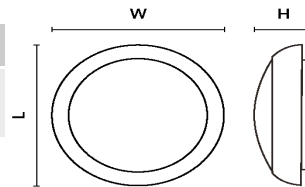
Box Contents:

- Ridgegate Bulkhead
- Fixing Kit



Dimensions:

Part No.	Description	L (mm)	W (mm)	H (mm)	Weight
430150	Ridgegate Bulkhead	316	316	83	0.6kg



End Of Life Disposal:

Disassembly instructions for end of life disposal available on website.
 Disposal of Electronic Equipment WEEE Directive 2002/96/EC This product falls within the scope of the Waste Electrical & Electronic Equipment Directive (WEEE), which means the product should not be disposed of as normal household waste. Please recycle where facilities exist or check with your Local Authority. RoHS - All components and materials used in this product are RoHS 2002/95/EC compliant. Specifications may change from time to time. The information contained in this leaflet is for guidance only and should not be considered as always accurate and should be treated as not representative.

Tools Required For Installation:

- Wire Strippers / Cutter
- Drill



**READ THESE INSTRUCTIONS THOROUGHLY BEFORE INSTALLATION
 KEEP THESE INSTRUCTIONS FOR FUTURE REFERENCE.**

IMPORTANT:

This product must be installed by a qualified electrician or competent person, and in accordance with current building and IET wiring regulations.

Warranty:

This luminaire is warranted for a period of 3Years from the date of purchase**. The warranty could be invalidated should the light fitting not be installed according to these instructions, outside the scope of the specification or the product has been altered or tampered with in any way. Please see website for terms and conditions.



WARNING: Risk of electric shock!
Isolate the mains power before proceeding.

- Turn off the mains power before performing inspections, installation, or removal
- Verify that the supply voltage is correct by comparing it with the luminaire label information
- It is the installers responsibility to ensure installation is suitable for the total load of the luminaire(s). The supply cable, fuses/circuit breakers must be correctly rated for the electrical load and considering for any transient inrush currents that may occur.
- Do not perform insulation strength or resistance tests on installed luminaire(s) connected

Wiring instructions for units equipped with EMERGENCY function:

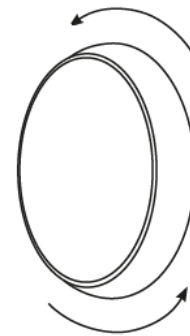
Emergency lighting luminaires must be installed and maintained in accordance with the emergency lighting standard BS 5266-1

- For the emergency unit to work correctly, please ensure that an uninterrupted permanent live feed is present and is connected directly to the 'Permanent Live' terminal of the mains terminal block. Please ensure there are no switches, PIRs etc within the permanent live feed, constant switching of the emergency pack could result in premature battery failure.
- Following power up the green LED indicator should illuminate to indicate charging. If power to the unit is disrupted or isolated, the unit indicating green LED will switch off, triggering the emergency LEDs to illuminate.
- When self-test mode is selected, 24hrs from connection to mains power, a 3hrs duration test will be performed automatically.

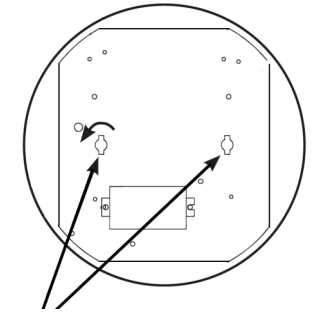
Installation Procedure:

1. Remove the diffuser by gently twisting anti-clockwise.
2. Twist the locking tab to loosen and remove the geartray.
3. Drill appropriately sized holes through your chosen mounting points in the base.
4. Install grommet (supplied) to your chosen cable entry and pierce, making a hole just large enough to make a tight fit around the incoming mains cable. Carefully thread cable through grommet and secure fitting in place.
5. Connect mains to terminal block as indicated—Standard version.
6. Connect mains to terminal block as indicated—Emergency version.
7. Select colour temperature and power to your desired settings.
8. Replace the geartray and twist the locking tab to secure in place, then refit the diffuser.
9. Reconnect the mains supply.

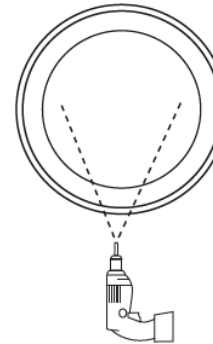
1.



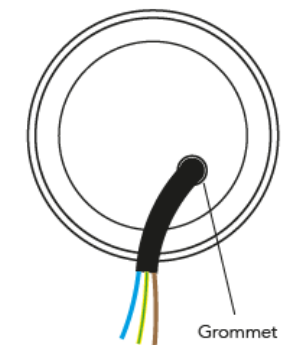
2.



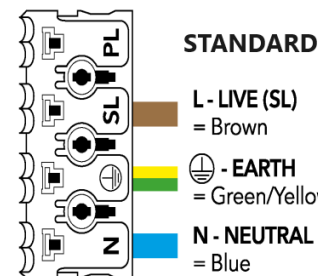
3.



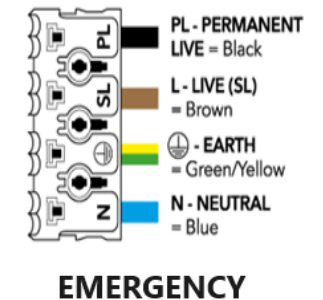
4.



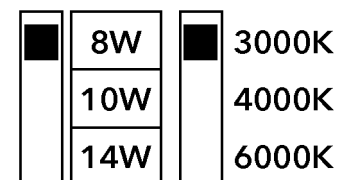
5.



6.



7.



8.

